

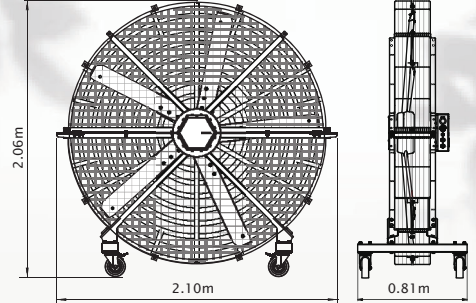
PORTABLE HVLS FAN

Industrial Portable Fan



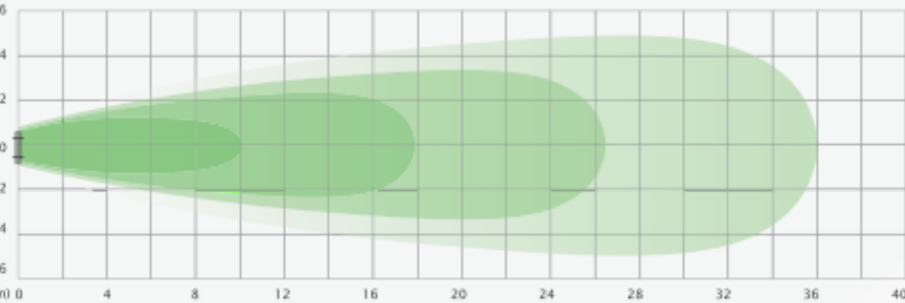
SUNON Portable HVLS Fan is designed to be easily move by a person through the work areas. 2M fan generates powerful airflow to enhance better ventilation and reduce human body temperature.

Using SUNON BLDC motor not only save energy, but also generate powerful airflow with quiet sound.



Specification

Model	MOB-2000-RF
Dimension (W x H x D)	2.06 x 2.10 x 0.81 m
Power Source	100-240 VAC, 1Φ, 50/60Hz
Speed (Max)	285 RPM
Power Consumption (Max)	523 W
Rated Current (Max)	5.13 A
IP Rating	IP55
Noise	<50 (dB(A))
Weight	130 Kg



High Air volume : 1,500 m³/min
Air reaches 36 meters away (1/3 length of football field)

*Specifications are subject to change. Final spec will be released on Sunon website.

Easy
Move

Safe
Design

IP
55



BLDC
Motor



Universal Voltage
100 V~ 240 V



Strengthen
Hub and Rib Design



Frame Comply
with IEC 60335-1



SUNON®